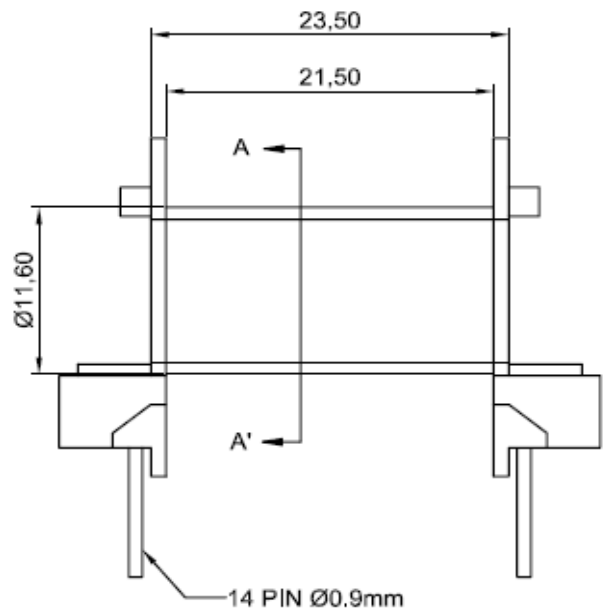
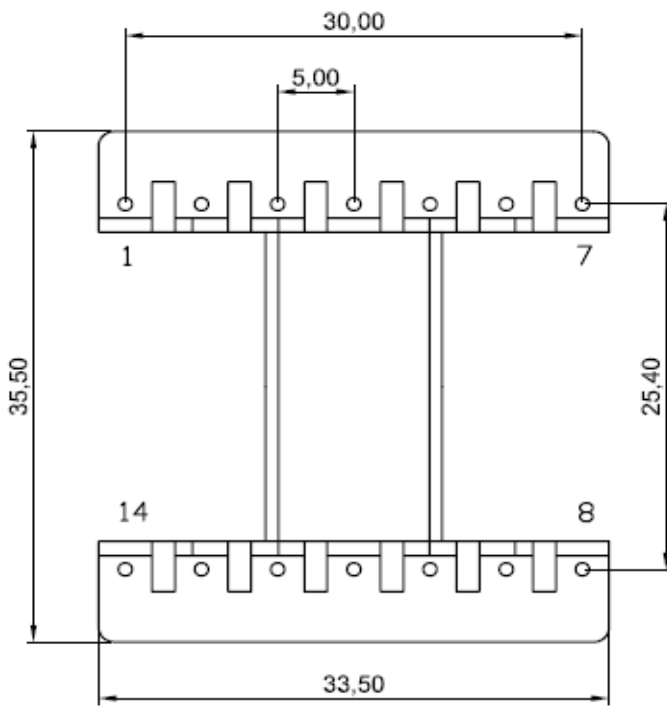


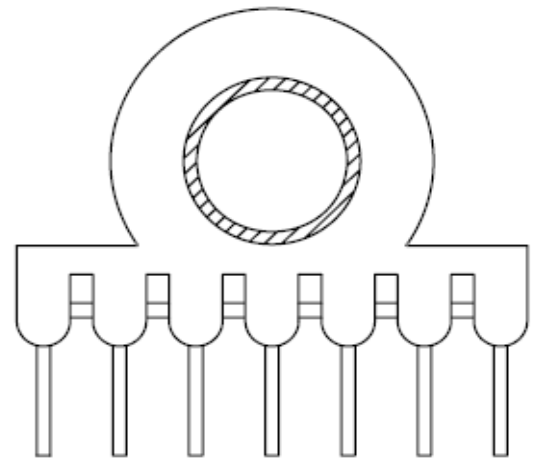
FRONT VIEW



R.H. SIDE VIEW



BOTTOM VIEW



SECTION A-A'

COMPONENT WEIGHT: 6.0 GMS

Note:

- (1) All dimensions are in mm
- (2) y = Material Code \*)
- (3) x = Temperature Class \*)
- (4) Tolerance for all dimension:
  - 0 < L ≤ 4: ±0,2 mm
  - 4 < L ≤ 16: ±0,3 mm
  - 16 < L ≤ 63: ±0,4 mm
- (5) Pin material: CP wire
- (6) Tolerance of Pin Pitch: (±0,2 mm)
- \*) Specification according to BOBBIN-MATERIALS

Hole arrangement  
View in  
mounting direction

