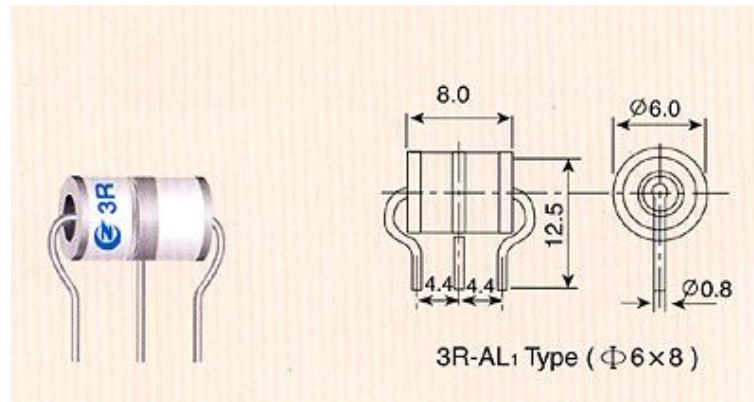
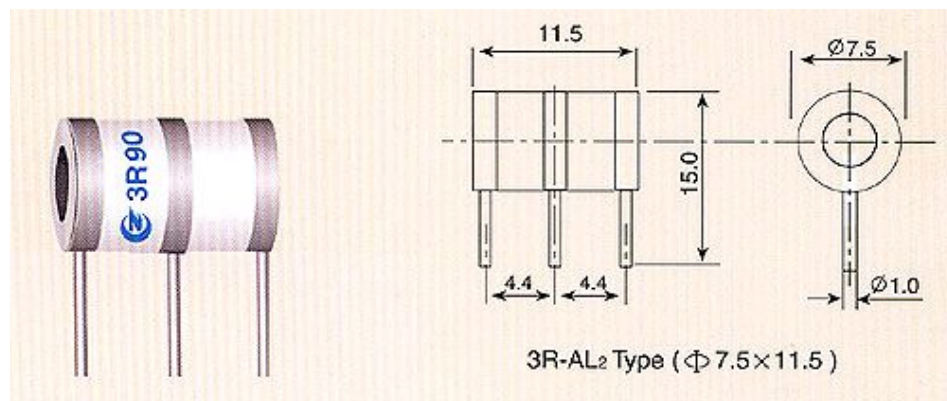
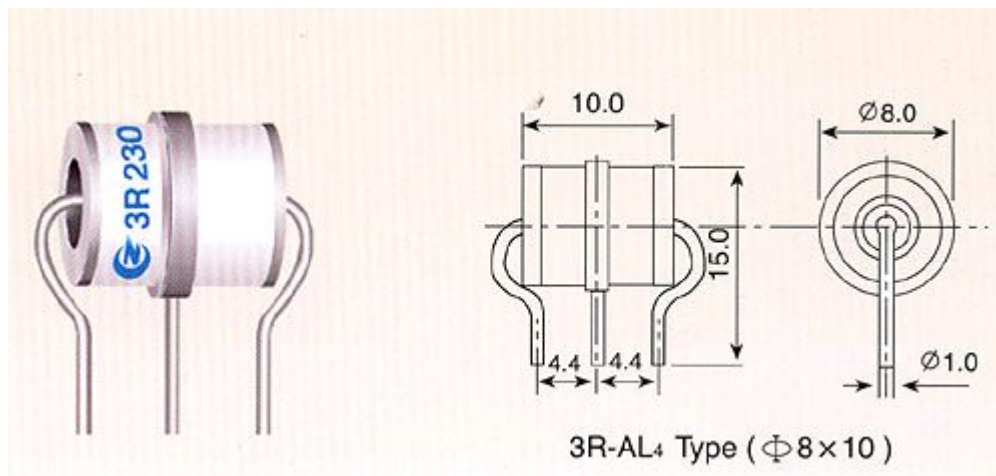


BL-3R-xxx AL1

type	DC spark-over voltage (100V/s) [V]	Impulse spark-over voltage (1KV/us) [V]	Impulse discharge current (10/1000us 300times) [A]	Impulse discharge current (8/20us 10times) [kA]	AC discharge current (50Hz 1s 5times)	Holdover voltage [V]	Insulation resistance [Ω]	Capacitance [pF]	Transverse voltage duration [ns]	
3R-75AL ₁	75±25%	≤600	50	10	10	/	≥10 ¹⁰	<1.5	≤200	
3R-90AL ₁	90±25%	≤600	50	10	10	/	≥10 ¹⁰	<1.5	≤200	
3R-150AL ₁	150±20%	≤700	100	10	10	80	≥10 ¹⁰	<1	≤200	
3R-230AL ₁	230±20%	I	≤800	100	10	10	135	≥10 ¹⁰	<1	≤200
		II	≤500	/						
3R-350AL ₁	350±20%	I	≤800	100	10	10	135	≥10 ¹⁰	<1	≤200
		II	≤600	/						
3R-470AL ₁	470±20%	I	≤900	100	10	10	135	≥10 ¹⁰	<1	≤200
		II	≤700	/						
3R-600AL ₁	600±20%	≤1200	100	10	10	135	≥10 ¹⁰	<1	≤200	

BL-3R-xxx AL2

type	DC spark-over voltage (100V/s) [V]	Impulse spark-over voltage (1KV/us) [V]	Impulse discharge current (10/1000us 300times) [A]	Impulse discharge current (8/20us 10times) [kA]	AC discharge current (50Hz 1s 5times)	Holdover voltage [V]	Insulation resistance [Ω]	Capacitance [pF]	Transverse voltage duration [ns]	
3R-75AL ₂	75±25%	≤600	50	20	20	/	≥10 ¹⁰	<1.5	≤200	
3R-90AL ₂	90±25%	≤600	50	20	20	/	≥10 ¹⁰	<1.5	≤200	
3R-150AL ₂	150±20%	≤700	100	20	20	80	≥10 ¹⁰	<1	≤200	
3R-230AL ₂	230±20%	I	≤800	100	20	20	135	≥10 ¹⁰	<1	≤200
		II	≤500	/						
3R-350AL ₂	350±20%	I	≤800	100	20	20	135	≥10 ¹⁰	<1	≤200
		II	≤600	/						
3R-470AL ₂	470±20%	I	≤900	100	20	20	135	≥10 ¹⁰	<1	≤200
		II	≤700	/						
3R-600AL ₂	600±20%	≤1200	100	20	20	135	≥10 ¹⁰	<1	≤20	

Přepět'ové ochrany – BLESKOJISTKY 3-pólové**BL-3R-xxx AL4**

type	DC spark-over voltage (100V/s) [V]	Impulse spark-over voltage (1KV/us) [V]	Impulse discharge current (10/1000us 300times) [A]	Impulse discharge current (8/20us 10times) [kA]	AC discharge current (50Hz 1s 10times)	Holdover voltage [V]	Insulation resistance [Ω]	Capacitance [pF]	Transverse voltage duration [ns]
3R-75AL ₄	75 ±25%	≤600	50	20	10	/	≥10 ¹⁰	<1.5	≤200
3R-90AL ₄	90 ±25%	≤600	50	20	10	/	≥10 ¹⁰	<1.5	≤200
3R-150AL ₄	150 ±20%	≤700	100	20	10	80	≥10 ¹⁰	<1	≤200
3R-230AL ₄	230 ±20%	I ≤800	100	20	10	135	≥10 ¹⁰	<1	≤200
		II ≤500	/						
3R-350AL ₄	350 ±20%	I ≤800	100	20	10	135	≥10 ¹⁰	<1	≤200
		II ≤600	/						
3R-470AL ₄	470 ±20%	I ≤900	100	20	10	135	≥10 ¹⁰	<1	≤200
		II ≤700	/						
3R-600AL ₄	600 ±20%	≤1200	100	20	10	135	≥10 ¹⁰	<1	≤200