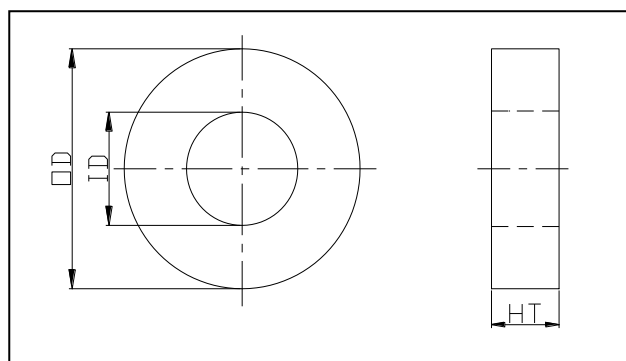


Lja T 1908-NC &NC

Dimension Standards (Unit : mm)



----	OD (mm)	ID(mm)	HT(mm)
Case Dimensions	19.5MAX	11.0MIN	8.5MAX
Core Dimensions	17.5±0.2	12.6±0.2	6±0.2

Electric al Characteristics

INDUCTANCE	Turns	Testing Condition	Testing Equipment
22.5-42.2μH	1Ts	10kHz/0.3V	TH2816B LCR
5.16-10.3μH	1Ts	100kHz/0.3V	TH2816B LCR

Material Characteristics :

NO.	Item	/Unit	Reference value
1	(Bs) Saturated induction density	T	1.2
2	(μi) Permeability	Gs/Oe	8.5×10 ⁴
3	(μmax) Maximum Permeability	Gs/Oe	40*10 ⁴
4	(Tc) Curie Temperature	°C	570
5	(ρ) Density	g/cm ³	7.25
6	(δ) Resistivity	uΩ.cm	130
7	(k) Stacking Factor	-	> 0.75