

# PIEZO BUZZER

Customer	
Customer P/O	
Bestar Model Name	BPT24X
Product No.	040600
Issue No.	BS/TEP01.046A
Issue Date	01/06/10

Approval:

- 1.Ordering Information
- 2.Characteristic
- 3.Drawing
- 4.Reliability Test

o

# BPT-24X

## 1. Ordering Information

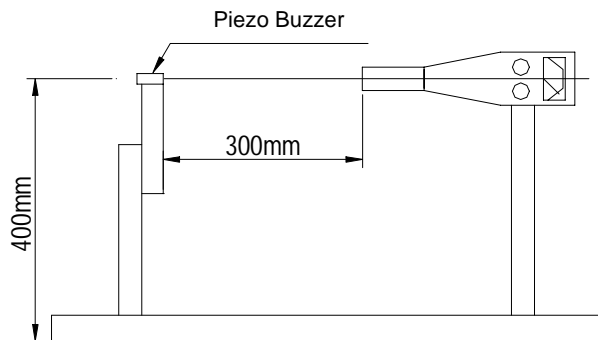
BPT-24X  
 BPT: Bestar Piezo Transducer  
 24 : Buzzer Size - diameter=24mm  
 X : with built-in circuit

## 2. Characteristic

### Electrical and Mechanical Characteristics

No.	Item	Specification
1.	Rated Voltage	12V
2.	Operating Voltage	3...20V
3.	a)Rated Current	max.8mA
4.	a)Sound Output at 30cm	min.90dB
5.	a)Resonance Frequency	3700± 500Hz
6.	Operating Temperature	-20...+60° C
7.	Storage Temperature	-30...+70° C
8.	Weight	5 g
	a)Value applying at rated voltage	

### ★Standard Output Measurement Setup





# BPT-24X

## 4. Reliability Test

### 4.1 High temperature test

Temperature +70° C  
 Duration 96hrs

### 4.2 Low temperature test

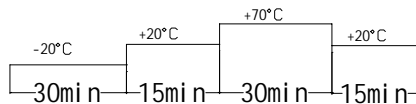
Temperature -30° C  
 Duration 96hrs

### 4.3 Life test in normal temperature

Power supply rated voltage  
 Duration 1000hrs

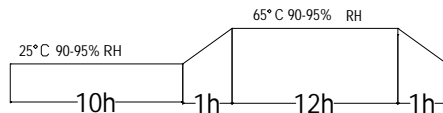
### 4.4 temperature cycle test

Cycles 5



### 4.5 Humidity cycle test

Cycles 5



all these tests above should be measured after leaving normal temperature for 2hrs.

### 4.6 Drop test

Height 70cm  
 (to 10mm thickness woodenboard)  
 Direction 3

### 4.7 Solderability

Temperature 245± 5° C  
 Duration 3sec

Notice: All specification must be satisfied in this condition.
